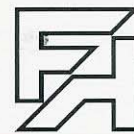


Key: Mogul**Door: Food-pass swinging****Security Level: Medium**

17-M1 Latch

**DESCRIPTION:**

Specifically designed for food-pass door applications, the 17-M1 Latch offers the strength of our original 17 Series Latch combined with the high technology of Maxi-Mogul® cylinder operation. Now, staff need only carry Mogul-type keys. Surface or hollow-metal mountings available. A 17-4 keeper should be specified to capture the latchbolt and protect it from tampering when surface mounted.

APPLICATIONS:

Ideal for food-pass doors, small wicket doors, observation panels or gun lockers. 17-M and 17-M1 latches are designed to mount above the door and snap-lock instantly on closure. These latches may be specified with either the Mogul, or exclusive Maxi-Mogul Key Cylinder as needs dictate. When Maxi-Mogul cylinders are specified, Level 1 keying will be provided (refer to our Maxi-Mogul brochure for further explanation).

STANDARD FEATURES:

- **Maxi-Mogul® key cylinder**—Provides maximum pick-resistance. UL437 listed.
- **Case**—Malleable iron.
- **Corrosion-resistant**—Working parts are corrosion-resistant.
- **Tamper-resistant construction**
- **Latchbolt throw**—7/16". Flush when retracted, or 1/2" projection for hollow metal pocket installation.

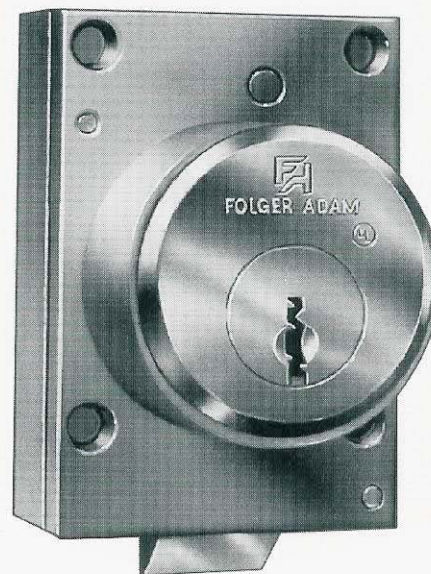
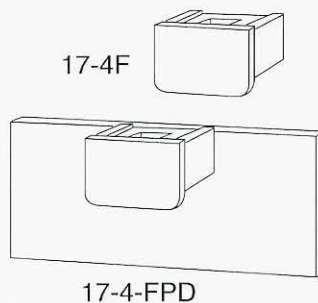
- **Large, solid latchbolt**—Investment-cast stainless steel, 1" x 7/16".
- **Supplied**—With four 1/4-20 x 1-1/2" flat head security screws.
- **Finish**—Standard is USP.

OPTIONAL FEATURES:

- **Square bolt**—Flush and 1/2" projection stainless steel square bolt for special applications.
- **Mogul key cylinder**—For existing applications.
- **Cylinder finish**—US4 standard, US26, US26D, US10 and US10B available.
- **Hollow metal mounting**—Combined with 1/2" bolt projection for in-the-door pocket mounting.
- **Keying**—Master keying is available.
- **Finish**—Galvanized.

ACCESSORIES (Must be specified separately):

- **17-4F**—Keeper/pull for surface mounted lock.
- **17-4FPD**—Food pass door with keeper (specify 3FP hinges separately).



Right hand reverse bevel shown.

HOW TO ORDER:

Specify:

1. Quantity
2. Handing
3. Cylinder
 - a. 17-M1 for Maxi-Mogul key cylinder
 - b. 17-M0 allows cylinder to be keyed to existing Mogul combinations
4. Cylinder finish
5. Latch mounting requirements
6. Key code instructions

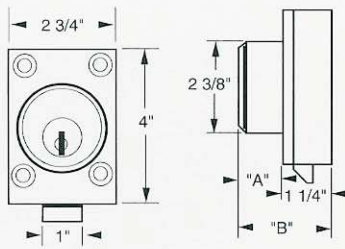


Santa Beatriz No. 3722,
Col. Jardines de San Ignacio,
Zapopan 45040, Jal.
Tel. (33) 3121 7878
Fax (33) 3121 9131
www.alsemexicana.com

Dakota No. 69 esq. Galveston,
Col. Nápoles,
México 03810, D.F.
Tel. (55) 5543-1938
Fax (55) 5543-2835
info@alsemexicana.com

Lada sin costo: 01-800-001ALSE
(2573)

DIMENSIONAL DATA:



DIMENSION	MAXI-MOGUL	MOGUL
A	1-3/8"	1-1/8"
B	2-5/8"	2-3/8"



Santa Beatriz No. 3722,
Col. Jardines de San Ignacio,
Zapopan 45040, Jal.
Tel. (33) 3121 7878
Fax (33) 3121 9131
www.alsemexicana.com

Dakota No. 69 esq. Galveston,
Col. Nápoles,
México 03810, D.F.
Tel. (55) 5543-1938
Fax (55) 5543-2835
info@alsemexicana.com

Lada sin costo: 01-800-001ALSE
(2573)